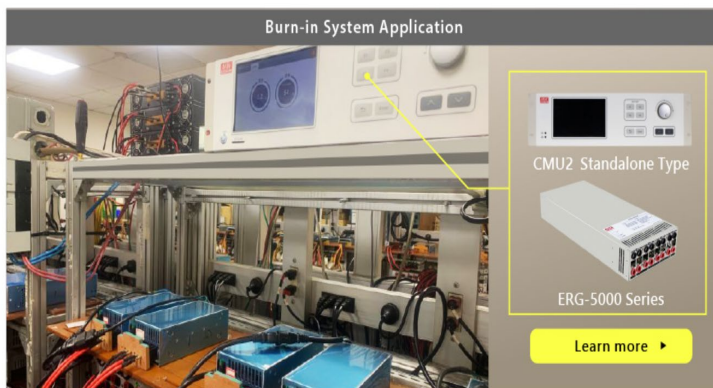


Energy-efficient Product Application

Energy Recovery

The surplus electricity generated in the process of product production and testing is returned to the grid to reduce carbon emissions and reduce energy consumption costs.



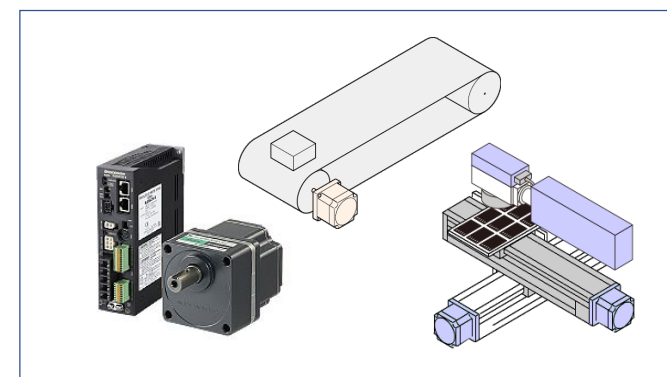
Centralized Power Supply

Centralized power management, improve power utilization and system reliability, reduce energy consumption and environmental pollution, and realize energy interconnection and intelligent management.



VFD Driver

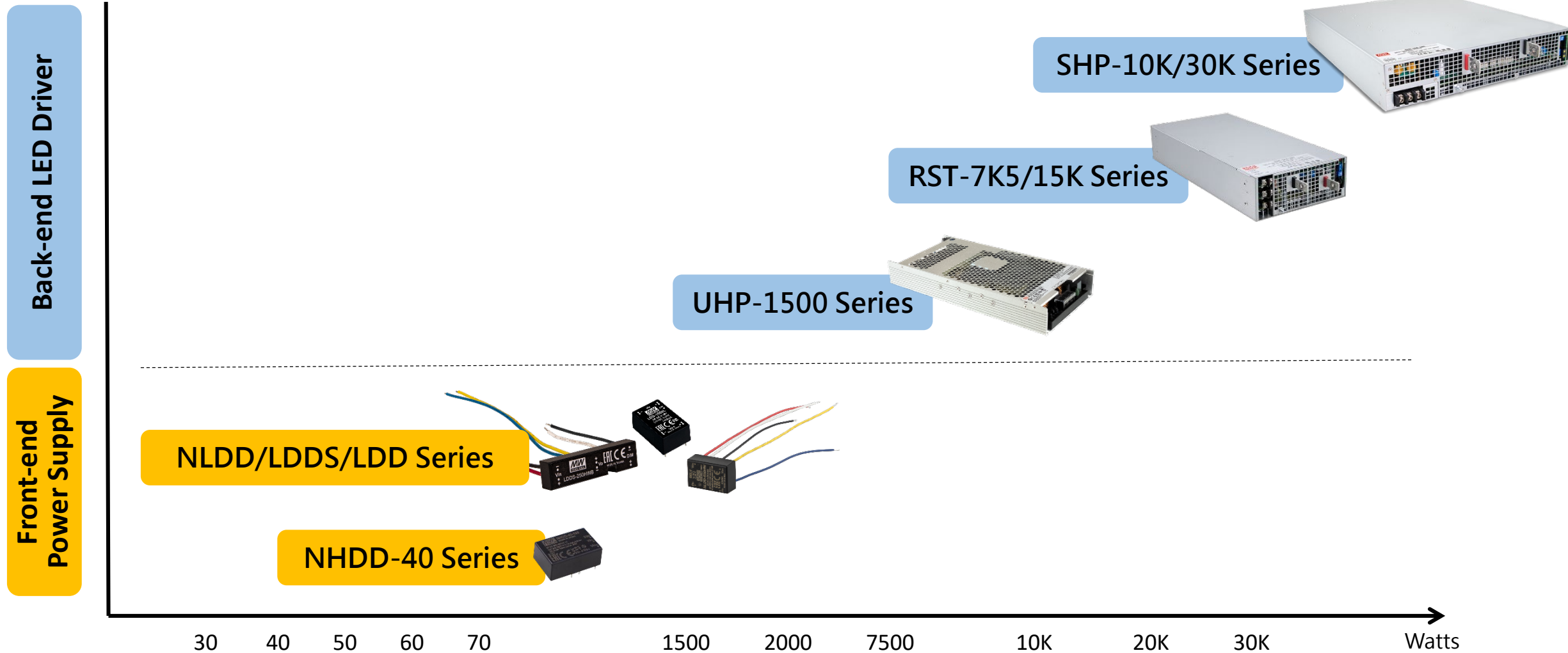
The high efficiency and miniaturization of brushless direct current motor (BLDC) can achieve the energy-saving application of industrial automation and factories/homes.



Road Map

DC Centralized Bus Lighting Solutions

※ Please click on series names for related specifications.



Road Map Energy Recycling

※ Please click on series names for related specifications.

Bidirectional Power Supply



BIC-2200 Series

Energy recycling



ERS-1400 Series



ERG-5000(H) Series

Watts

Road Map

VFD

※ Please click on series names for related specifications.

